



# Basket Type Strainer - Class 150#

# ALEFA INDUSTRIAL EQUIPMENTS

**Office & Works:** Gala.No: 199/3 Quddus Compound. Opp. M.K Bros. K.A. Road. Jari-Mari, Mumbai. No 400 072, (INDIA)  
**Tel:** 022 64403739 **Tel, Fax:** 022 2850 9836. **Mobile:** 9820 529385. **E-Mail:** alfa\_aie@yahoo.com **Web:** www.alfavalvesindia.com  
**Regd. office:** D – 23, MEK Industrial Complex, Mumbra, Thane: 400 612 (INDIA) **Tel, Fax:** 25463439, **Mobile:** 9820 529385

Strainer from an absolutely essential part of the Pipeline Systems and we recommends use of our Strainers installed before our Shut- Off valves to enable increased efficiency, leak tightness and protection of Control valves. Installation of Strainers increases the life of Shut-Off valves by preventing ingress of unwanted foreign particles in the main shut-off valves & Control valves.

### RANGE OF STRAINERS

- “Y” Type Strainer
- Basket Type Strainers
- Duplex Strainers System

### SPECIAL FEATURES

- Design for 2.5 times Pipe Bore FREE Straining Area ensures a low Pressure Drop even 50% clogged conditions allowing for a lesser Down times for cleaning Elements. For a higher efficiency Specially Designed Strainers are provided with a HIGHER FREE STRAINING AREA.
- Caged Strainer elements Prevent Crumbling of Elements at even high Flow Velocities.
- Our Strainer have gone through rigorous test for lowering Pressure Drops across the strainers in clogged condition to maintain pipeline efficiencies.
- Basket Elements are provided with Easy removal handles.

### ACCESSORIES

- Drain and Vent Valves
- Inlet/Outlet Pressure gauge for Measuring Pressure Drops.

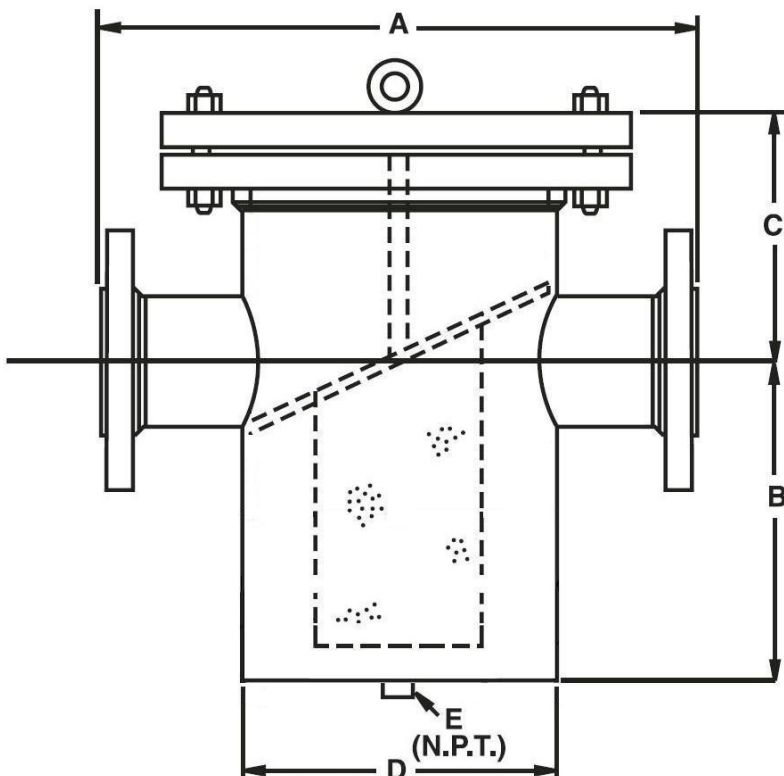
Dimensions in mm. Unit

NB	A	B	C	D
50	203	108	103	89
80	241	150	133	114
100	292	181	163	141
150	356	259	190	219
200	441	338	285	273
250	503	416	323	323
300	598	494	371	406
350	667	572	408	457
400	730	650	448	508
450	850	728	478	610
500	868	806	522	610

Above sizes are available upon request.

Materials of Constructions

Parts	Carbon Steel ( Fabricated)
Body / Cover	IS 2062/2002 ASTM A-53 ASTM A515 Gr. 60
Filter Elements	AISI 304
Drain Plug	C.S.
Fasteners	ASTM A-193 B7 / 2H
Gaskets	Compressed Asbestos Fiber (CAF)



# ALEFA INDUSTRIAL EQUIPMENTS

Tel: 022 64403739

Tel, Fax: 022 28509836

E-Mail: alfa\_aie@yahoo.com