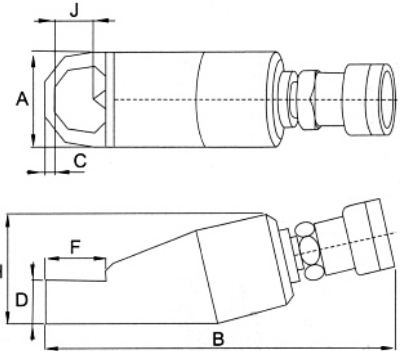


Hydraulic Nut Splitters

- Compact and ergonomic design, easy to use.
- Unique angled head design.
- Single-acting, spring return cylinder.
- Heavy duty chisels can be reground.
- Max. allowable Hardness of Split 44 HRC.
- Tool suitable for SAE grade 2 Nuts.
- Contact us for Split details of grade 2H Nuts.



Model No.	Hex.nut A/F range (mm)	Capacity (ton)	Oil capacity (mm ²)	Outside size						Weight (Kg)
				A mm	B mm	C mm	D mm	F mm	H mm	
GNC-1319	13~19	5	15	40	170	7	19	28	48	1.2
GNC-1924	19~24	10	20	54	191	10	26	40	62	2.0
GNC-2432	24~32	15	60	64	222	13	29	51	72	3.0
GNC-3241	32~41	20	80	75	244	17	36	66	88	4.4
GNC-4150	41~50	35	155	94	288	21	45	74	105	8.2
GNC-5060	50~60	50	240	106	318	23	54	90	128	11.8
GNC-6075	60~75	90	492	156	393	26	72	110	181	34.1