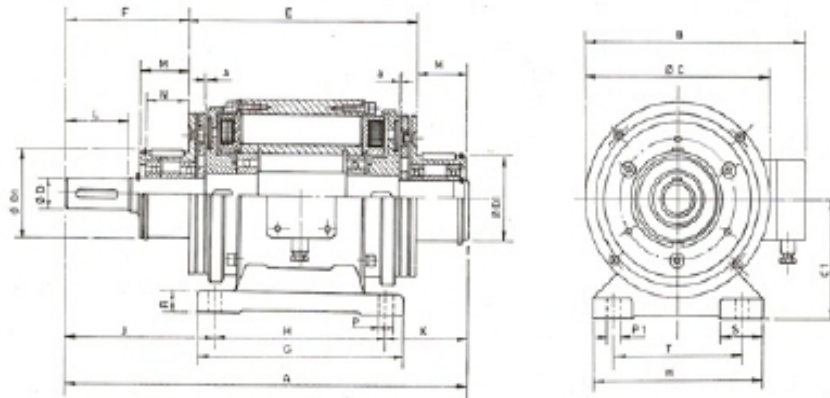


Magpower Linksys



DIMENSIONS : TYPE SSDC : SINGLE SHAFT DOUBLE CLUTCH

Size	Torque Nm	Input Power Watt	Clutch	A	B	∅C	C1	∅D	∅D1	E	F	G	H	J	K	L	M	N	P	P1	R	S	T	W	a
08	6	--	15	178	122	80	55	11	38	112.1	45.5	80	75	64	39	25	20	17	6.5	13.5	10	27.5	53	80	0.25
10	12	--	21	215	142	100	65	14	45	133.1	56	105	90	77.5	47.5	30	25	22	6.5	13.5	10	27.5	65	90	0.25
12	25	--	29	205	108	125	80	19	55	162	71.5	130	110	98	57	40	30	26.5	9	15.5	14	32.5	80	110	0.3
15	50	--	36	328	192	150	90	24	64	183.1	92.5	160	135	121.5	71.5	50	40	36.5	11.5	20	17	35	105	140	0.35
19	100	--	50	397	231	190	112	28	75	232.2	112.5	185	160	150	87	60	50	44.5	11.5	25	17	42.5	135	175	0.4

All dimensions in mm. Alterations reserved.

Standard voltages : 24VDC, 96VDC, 190VDC. Other Voltages at extra cost.

1 Nm = 0.102 Kgm = 0.737 lb.ft.