

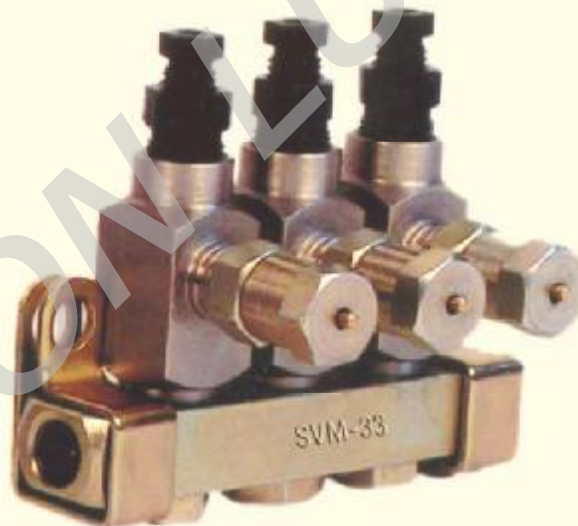
Rikkon Lube Injectors Model SVM - 33



S.V.A. Rikkon Lube Pvt. Ltd.

SVM 33 injector can dispense lubricant up to grease grade NLGI-1 and they can be manually adjusted to dispense a precise amount of lubricant as per actual bearing requirements.

They can be installed either individually at each bearing point or grouped in a manifold with feed line supplying lubricant to the bearing. They can be used in the system along with SVM 32 and SVM 1.



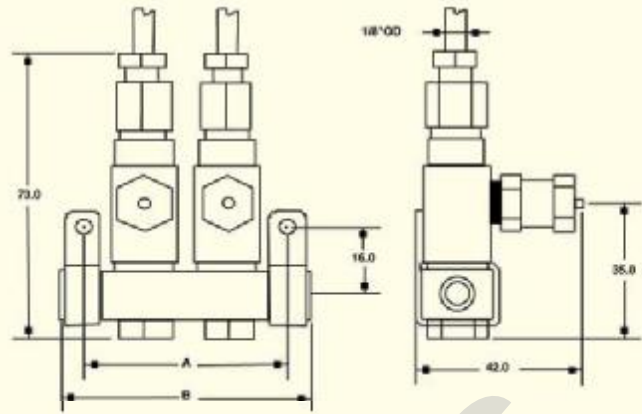
Special features :



- ◆ Output volume adjustment, possible
- ◆ Visual indicator pin
- ◆ External grease fitting
- ◆ Easily interchangeable

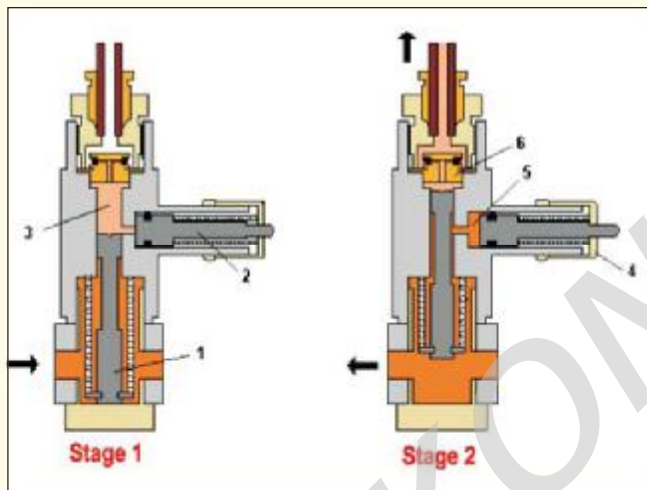


SVM-33 Ordering information

Model #	Description	Dim. "A" mm	Dim. "B" mm	Lubricant inlet
SVM 331	1 Way	27.5	40.0	1/8" NPTF
SVM 332	2 Way	47.5	60.0	1/8" NPTF
SVM 333	3 Way	67.5	80.0	1/8" NPTF
SVM 334	4 Way	87.5	100.0	1/8" NPTF
SVM 335	5 Way	107.5	120.0	1/8" NPTF
SVM 336	6 Way	127.5	140.0	1/8" NPTF
SVM 338	8 Way	167.5	180.0	1/8" NPTF
SVM 3310	10 Way	207.5	220.0	1/8" NPTF
SVM 33U	unit assly	NA	NA	NA



-  Lubricant under pressure
-  Lubricant output



Part details:

1. Plunger 2. Retainer 3. Discharge chamber
4. Capnut 5. Measuring chamber
6. Non-return valve

Operating Principles:

Stage 1 (Supply line pressure): Lubricant pressure moves the plunger which forces the lubricant in the discharge chamber through the outlet check valve to the feed line. During this stroke the path to the measuring chamber is opened and the retainer is pushed out.

Stage 2: With the supply line getting vented, plunger returns to normal position, connecting measuring chamber to the discharge chamber. The outlet check valve blocks the flow from feed line, the lubricant is automatically transferred to discharge chamber from measuring chamber.

Injector tuning: The injector output is controlled by the position of the indicator cap which shunts the travel of the packing retainer. With the indicator cap hand tightened, the lubricant output is decreased to a minimum. Retracting the indicator cap two full turns permits maximum lubricant to be dispersed.

After setting the output, the lock nut is tightened.

Technical specifications

Description	Specification
Output Lubricant Volume per cycle	Adjustable
Minimum	0.001 cu.in. (0.016 cc)
Maximum	0.003 cu.in (0.049 cc)
Operating Pressure	Minimum 1200 PSI (82 Bar)
Maximum	3500 PSI (241 Bar)
Recommended Operating Pressure	1500 PSI (102 Bar)
Reset Pressure	200 PSI (14 Bar)
Recommended Fluids	Grease NLGI Grade 1 or Lighter
Outlet port size	1/8" OD or 1/4" OD Tube Connector
Inlet port size	1/8" NPTF
No. of Outlets	upto 10 Outlets

Office: A2-16 Aishwaryam Apts, 4th Main Road, Nolambur,
Chennai - 600 095, India. E-mail: rikon@touchtelindia.net
Tel: +91 98400 40083