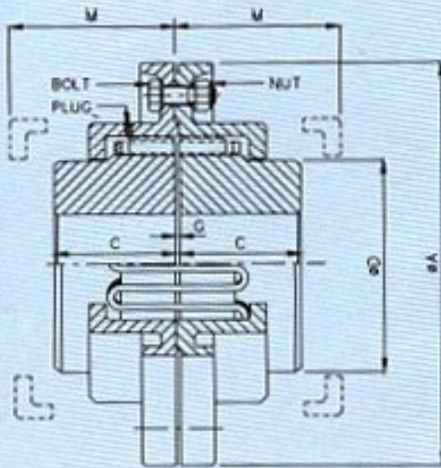
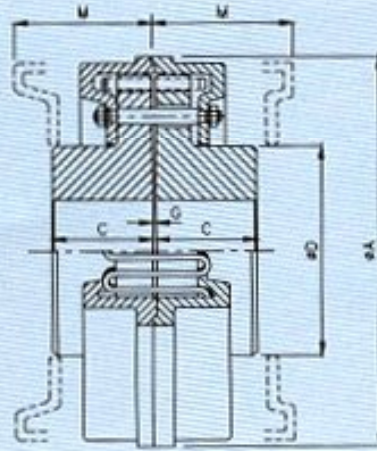


VERTICAL SPLIT COVERS

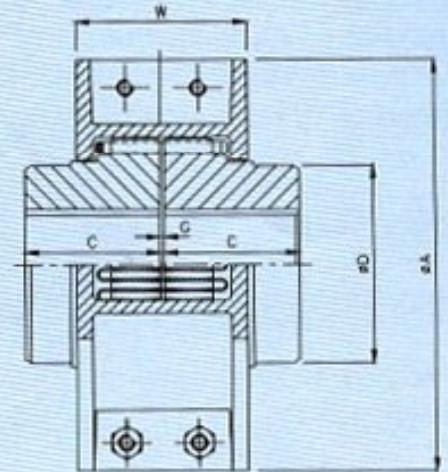


(Size 105 to 425)



(Size 432 to 492)

HORIZONTAL SPLIT COVERS



(Size 105 to 492)

TYPE V

TYPE H

TECHNICAL DATA

Size	kW at 100 rpm	Max. Speed rpm		Bore		Dimensions						Weight kg		
		V	H	Pilot	Max.	ØA		C	ØD	W	M	G	V	H
						V	H							
LGF-105	0.45	5800	3600	10	29	105	104	38.0	43	57	53	0.80	3	3
LGF-120	0.70	5000	3350	12	38	120	120	38.0	55	58	53	0.80	4	4
LGF-144	1.50	4500	3350	16	42	144	127	44.5	60	65	60	0.80	5	5
LGF-172	2.20	3500	2600	16	58	172	159	51.0	85	66	60	0.80	9	8
LGF-190	3.40	3300	2400	16	58	190	178	51.0	84	85	80	0.80	11	13
LGF-197	4.90	3100	2200	16	65	197	190	57.0	95	85	80	0.80	16	17
LGF-222	7.00	2600	1900	25	80	222	222	63.5	115	87	80	0.80	20	19
LGF-254	9.40	2300	1700	25	95	254	245	70.0	140	87	81	0.80	27	27
LGF-276	13.80	2000	1600	25	110	276	267	89.0	160	87	81	0.80	43	39
LGF-295	26.50	1900	1500	38	104	295	276	102.0	153	138	129	1.60	54	47
LGF-324	33.90	1800	1300	50	124	324	324	101.5	185	157	148	1.60	63	67
LGF-336	48.90	1600	1300	50	124	336	336	101.5	180	157	148	1.60	72	74
LGF-375	67.50	1400	1100	50	148	375	381	114.0	220	159	148	1.60	104	108
LGF-425	93.60	1200	1000	50	170	425	425	127.0	250	160	148	1.60	149	149
LGF-432	179.00	1200	800	75	* 157	432	501	140.0	#236	180	180	3.20	180	234
LGF-492	261.00	1100	700	85	* 173	492	552	152.5	#260	180	180	3.20	216	318