

RIKKON LUBE GREASE INJECTORS SERIES SVM 1



Salient Features:

- For single line central lubrication systems.
- For dispensing fluid or semi-fluid lubricants.
- Output is externally adjustable.
- Indicator stem permits visual check of injector operation.
- May be combined in a circuit of injectors SVM32 & SVM33.
- Individual injectors can be easily removed for inspection or replacement.
- Carbon steel injectors with Viton packings.

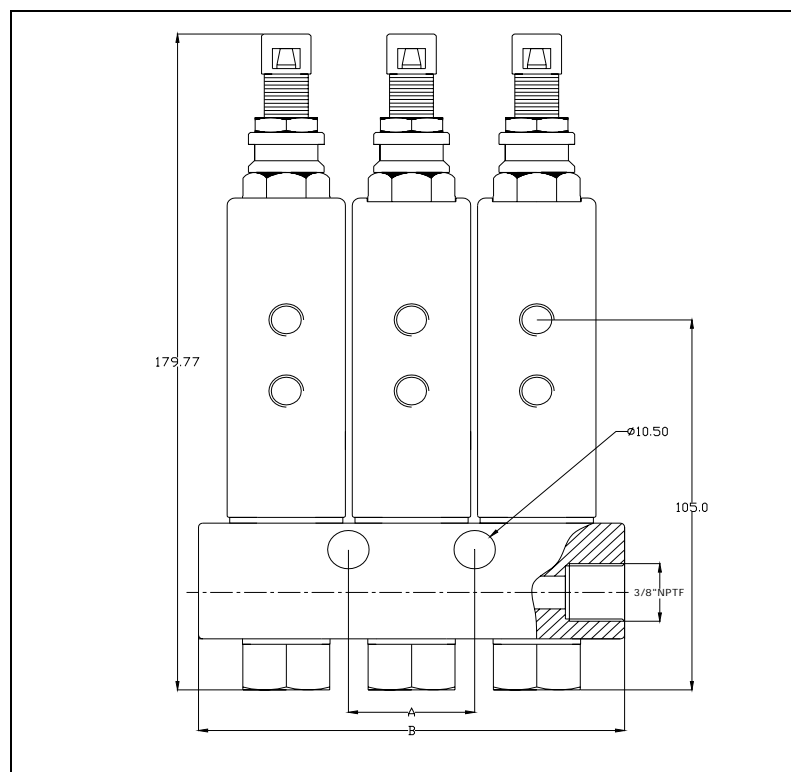
Specifications:

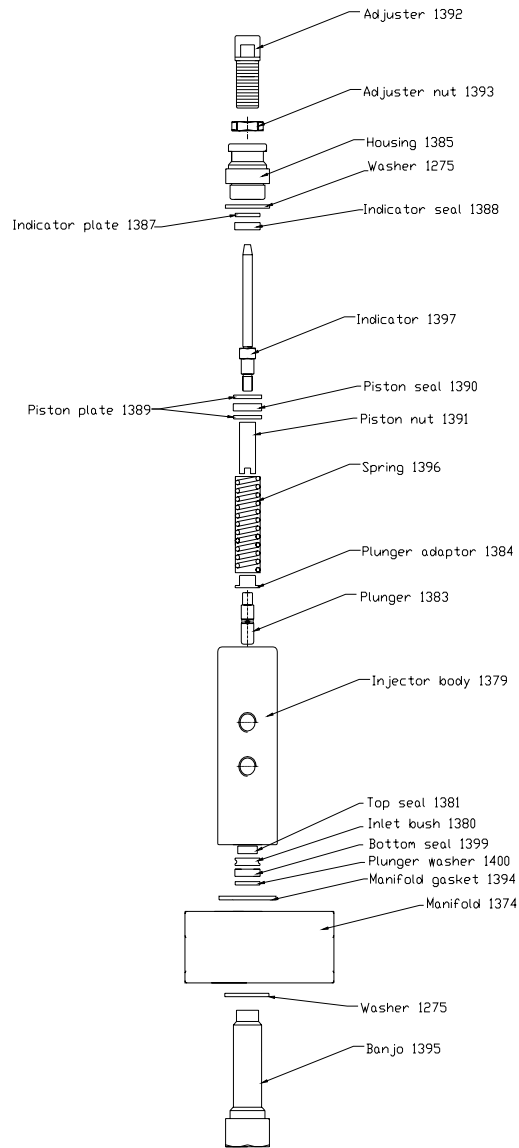
Series	Output - cu.in.(cc)		Operating Pressure - psig(bar)			Adjusting screw range from Min	connections	
	Min	Max	Min	Max	Vent		Manifold Inlet (in)	Injector Outlet(in)
SVM 1	.008(.131)	.080(1.31)	1850(125)	3500(236)	600(41)	12 Turns	3/8 NPTF(F)	1/8 NPTF(F)

Model No	No of Outlets	Dimension in mm	
		A	B
SVM 10	Replacement Injectors		
SVM 11	1	Single hole mounting	63
SVM 12	2		76
SVM 13	3	32	108
SVM 14	4	63	140
SVM 15	5	95	171

Notes:

- Check output if screw is adjusted to less than ½ turn from minimum.
- Injectors have Viton packing. Check compatibility with synthetic lubricants.
- Injectors rated for 200°F max. ambient temperature.
- Fill feed lines through grease fitting in alternate outlet port.





RIKKON LUBE

S.V.A Rikkon Lube Pvt.Ltd
 203, Nageswara Rao Road, 2 nd Extn, Athipet,
 Chennai- 600 058.
 Tel : 91-44-26255880 / 01 Fax : 91-44-26245128
 Email: sales@rikkonlube.com
 Website: www.rikkonlube.com.

Rikkon Lube Warranty

The Rikkon Lube System carries a 1 year warranty on all parts (subject to normal terms and condition of same) in line with completion of our System Warranty registration Card.